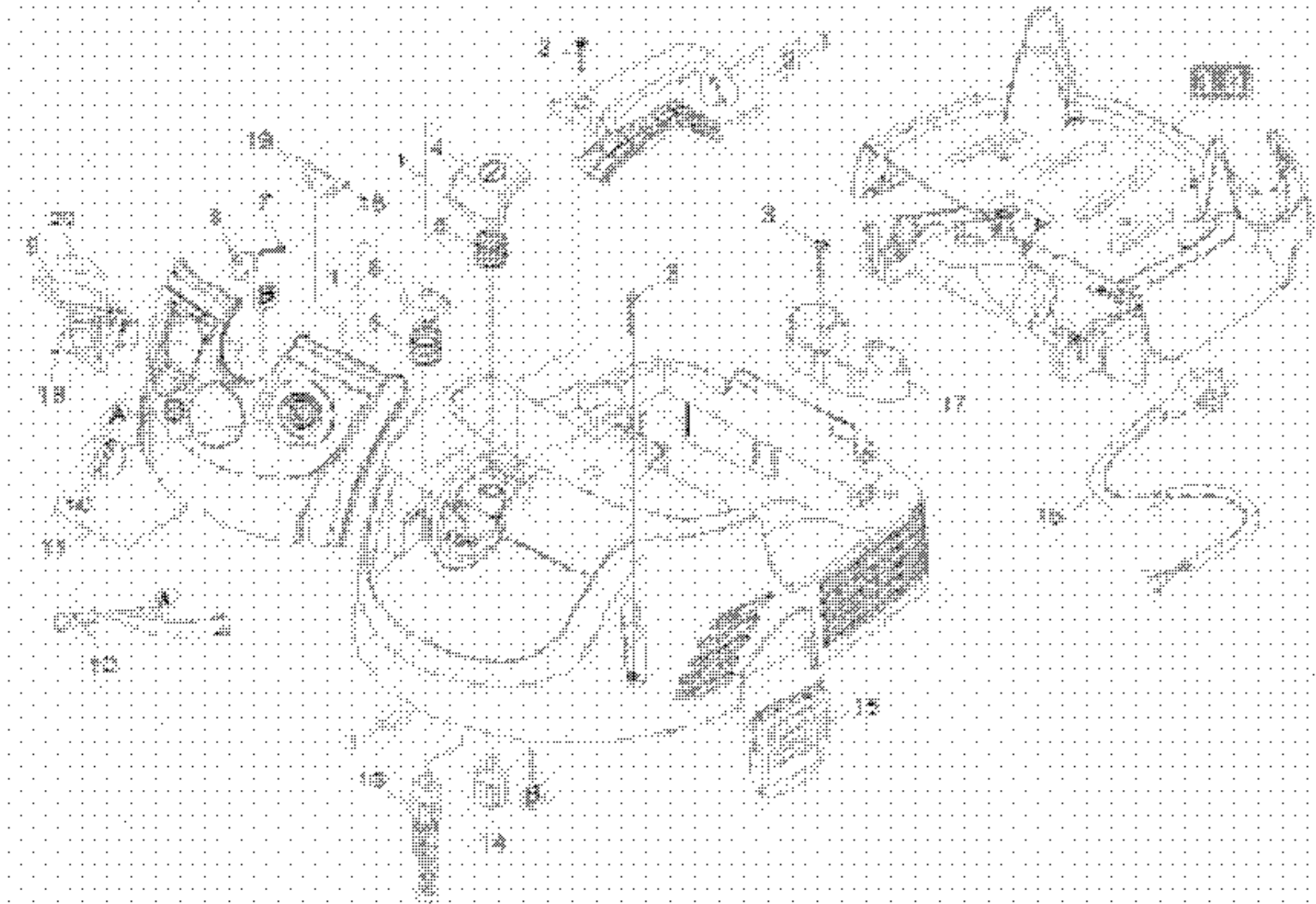
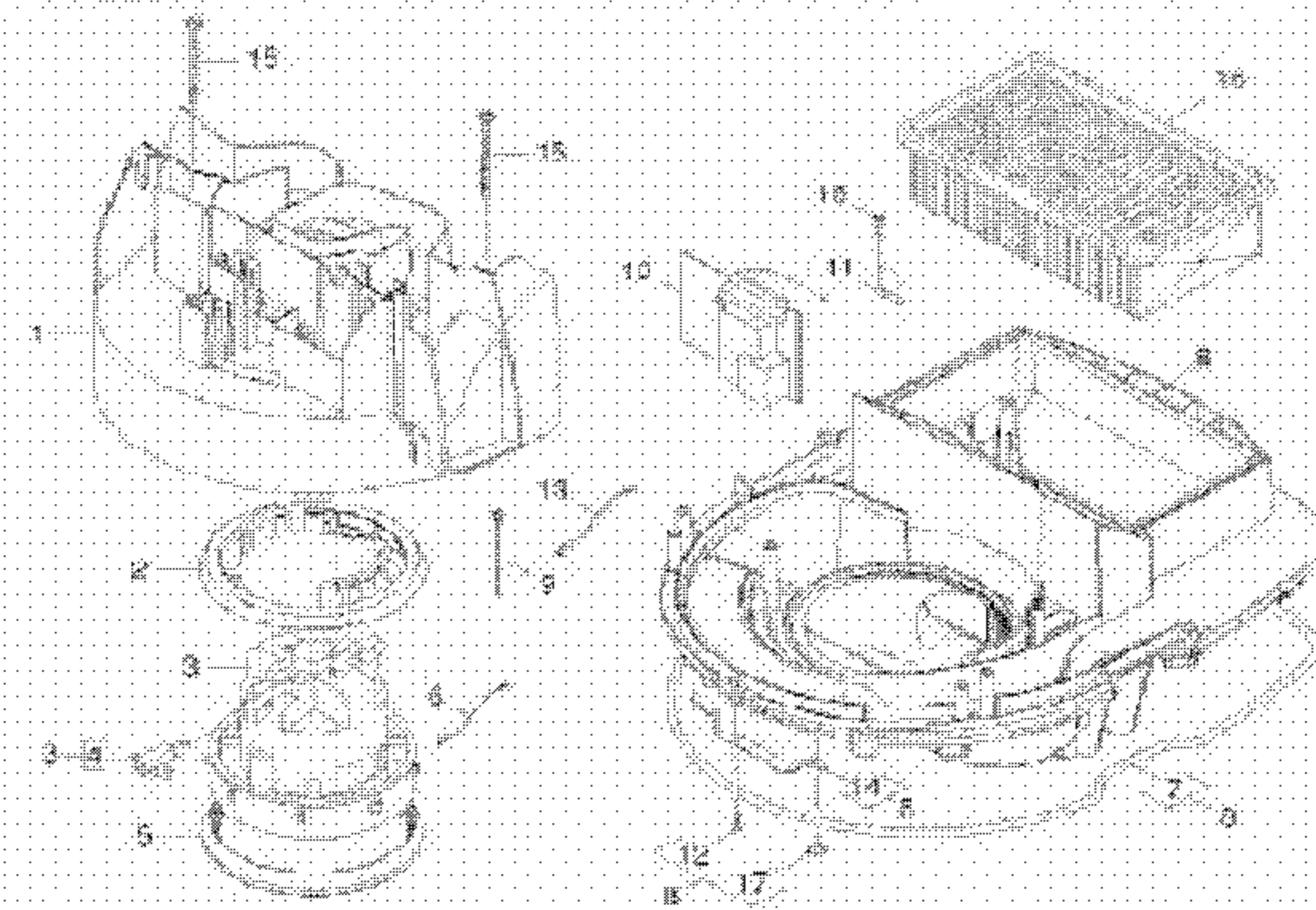


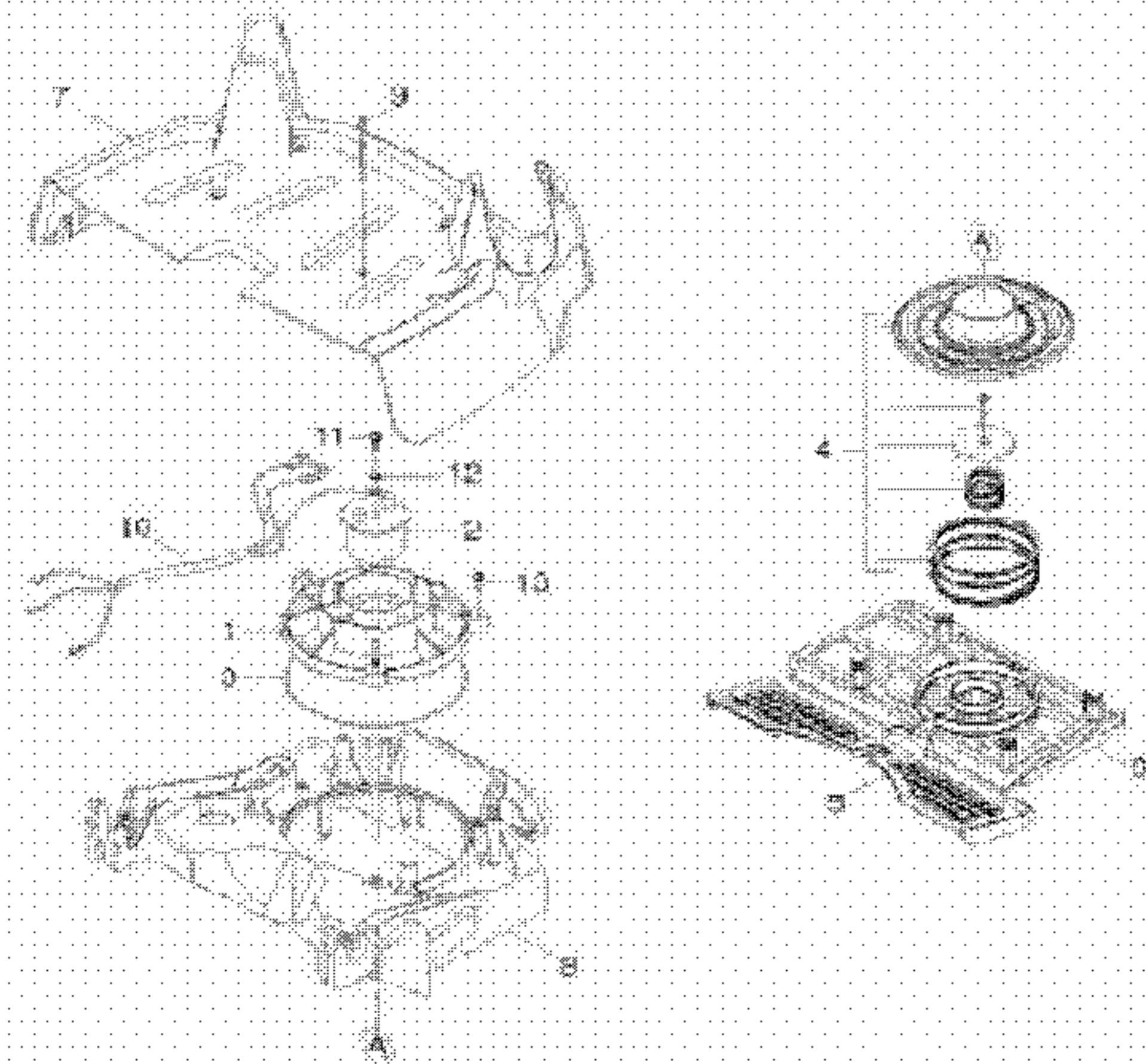
HAUBE EINZELTEILE



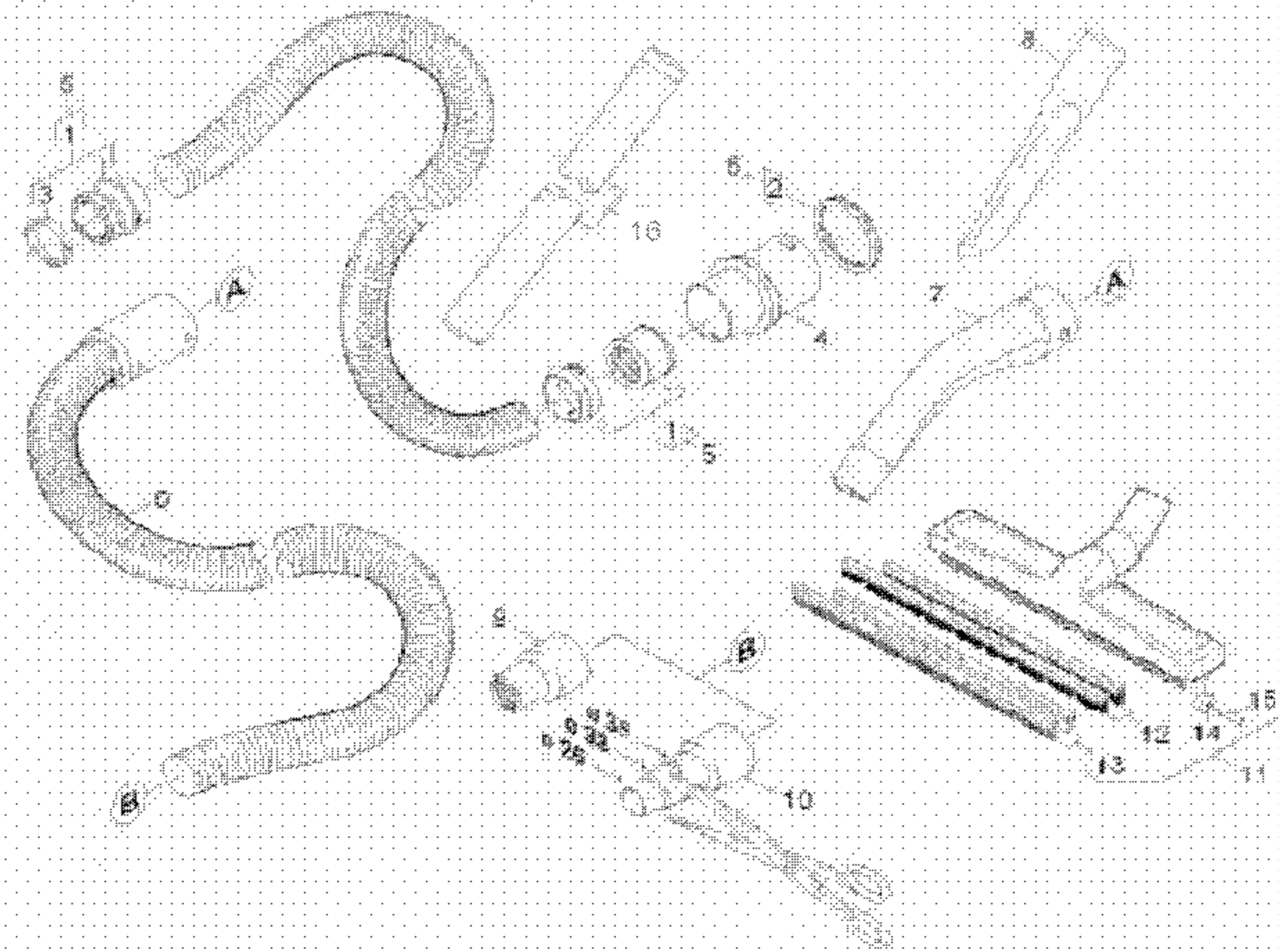
TURBINE



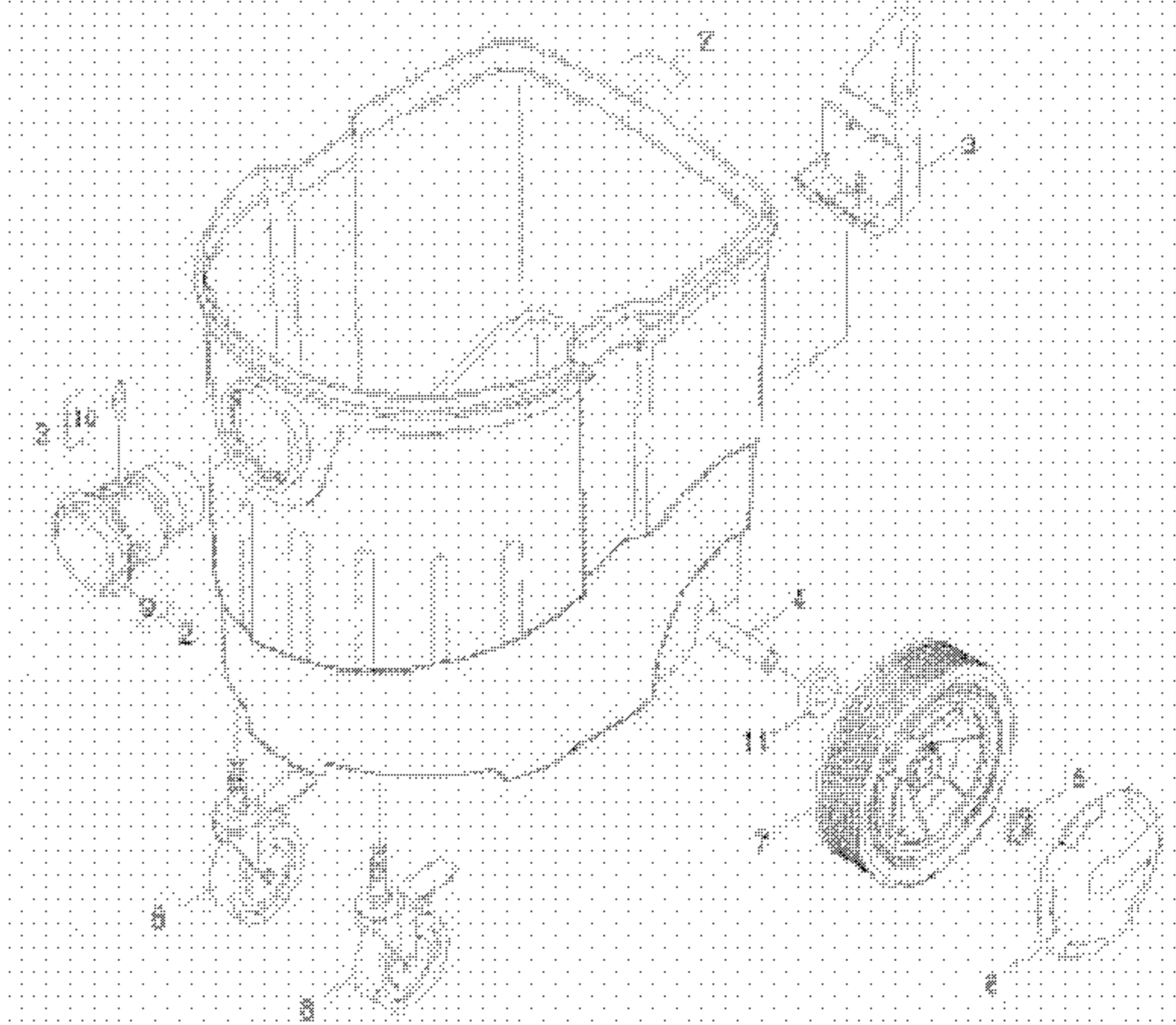
Filtertaetler



ZUBEHOER



BEHAELTER



S 47

S 47

	Pos	Teile-Nr	Stückzahl
H	1	340.316	1
H	2	337.641	1
H	3	337.706	1
H	4	340.464	1
H	5	340.499	1
H	6	340.472	1
H	7	329.797	1
H	8	297.615	1
H	9	297.607	1
H	10	340.456	1
H	11	340.367	1
H	12	297.593	1
H	13	340.596	1
H	14	340.618	1
H	15	337.668	1
H	16	297.534	1
H	17	297.542	1
H	18	325.910	1
H	19	340.359	1
H	20	297.623	1
T	1	340.332	1
T	2	340.510	1
T	3	340.561	1
T	4	340.588	1
T	5	340.553	1
T	6	340.634	1
T	7	297.860	1
T	8	340.308	1
T	9	340.421	1
T	10	340.340	1
T	11	340.677	1
T	12	297.550	1
T	13	340.642	1
T	14	340.480	1
T	15	337.706	1
T	16	337.692	1
T	17	340.537	1
T	18	305.898	1
F	1	340.383	1
F	2	340.669	1
F	3	340.545	1
F	4	340.294	1
F	5	340.502	1
F	6	340.375	1
F	7	340.391	1
F	8	340.405	1
F	9	340.650	1
F	10	340.626	1
F	11	325.937	1
F	12	255.788	1
F	13	195.715	1

	Pos	Teile-Nr	Stückzahl
B	2	340.324	1
B	3	298.158	1
B	4	340.413	1
B	5	298.174	1
B	6	298.182	1
B	7	298.190	1
B	8	337.684	1
B	9	298.212	1
B	10	298.298	1
B	11	340.448	1
Z	1	296.988	1
Z	2	298.239	1
Z	3	298.247	1
Z	4	340.529	1
Z	5	299.782	1
Z	6	296.953	1
Z	7	297.038	1
Z	8	259.627	1
Z	9	251.847	1
Z	10	259.827	1
Z	11	300.659	1
Z	12	300.675	1
Z	13	300.683	1
Z	14	300.667	1
Z	15	304.204	1
Z	16	300.691	1