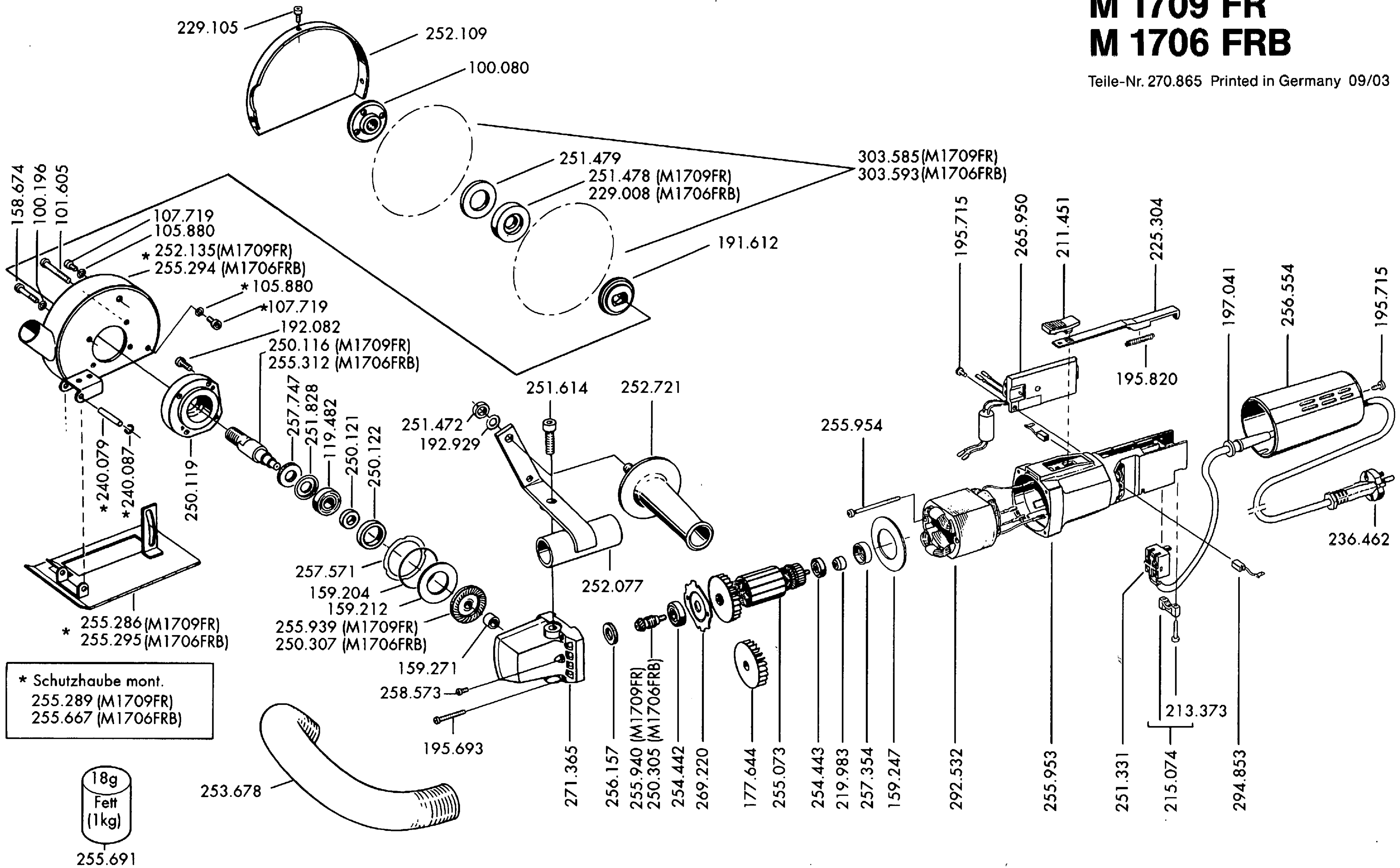
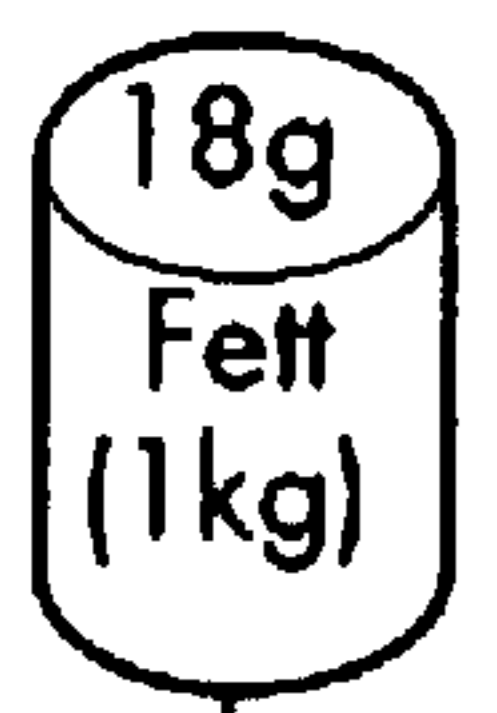


# M 1709 FR M 1706 FRB

Teile-Nr. 270.865 Printed in Germany 09/03



\* Schutzhaube mont.  
255.289 (M1709FR)  
255.667 (M1706FRB)



255.691