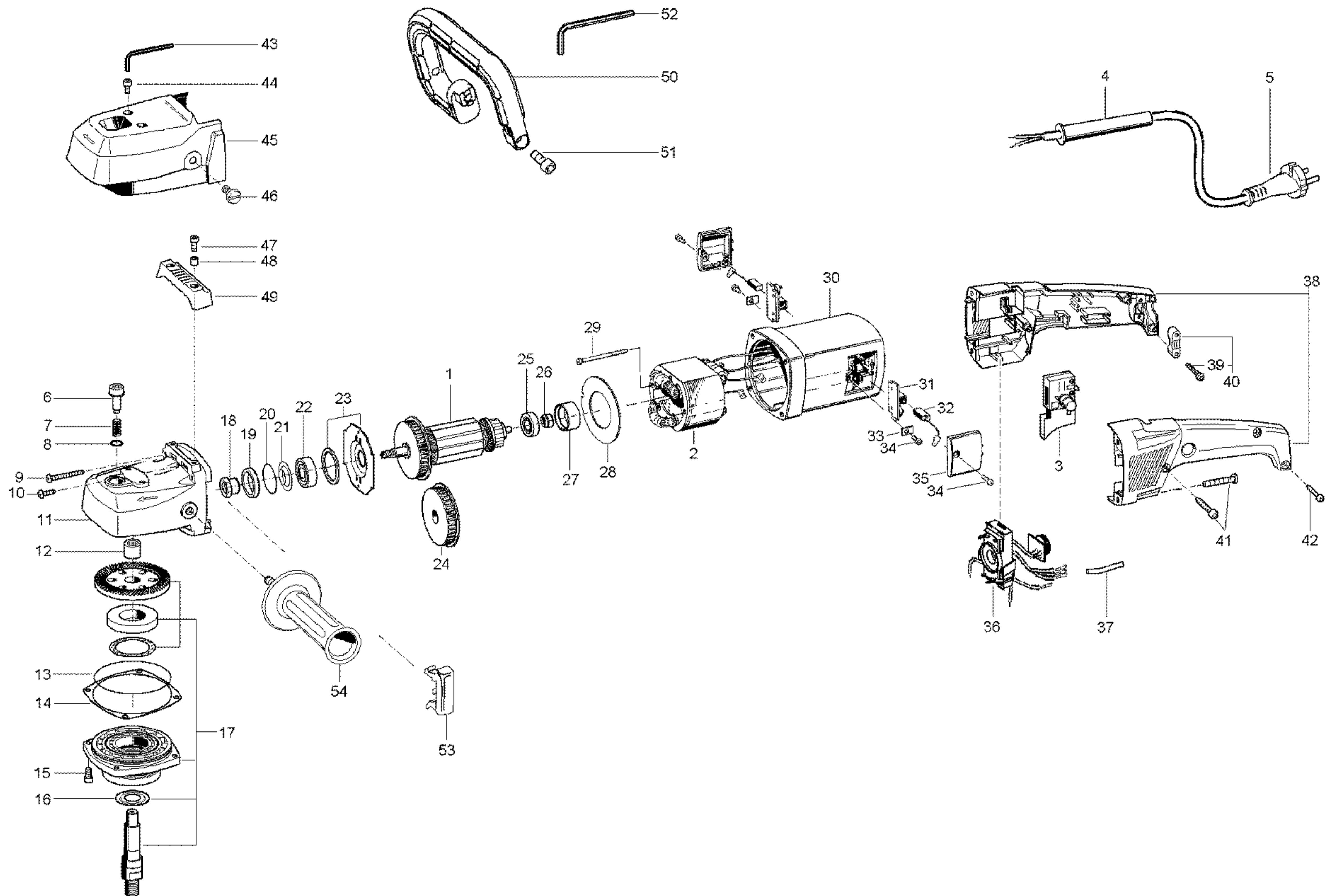


FLEX

POLISHER

WARNING: Electrical repairs should only be attempted by trained repairmen. Contact the nearest Authorized Service Station.

L 602 VR
120/USA



Ref. No.	Part No.	Description
1	330.884	Armature
2	332.429	Field
3	259.009	Switch
4	113.204	Cable Sleeve
5	214.655	Cord
6	258.591	Bolt
7	251.419	Spring
8	252.540	O-Ring
9	205.990	Screw
10	258.573	Screw
11	258.589	Gear Housing
12	120.375	Bearing
13	120.197	O-Ring
14	272.493	Washer
	272.507	Washer
15	271.233	Screw
16	264.679	Sealing Ring
17	330.841	Gear Shaft Assembl.
18	314.994	Bushing
19	311.316	Seal
20	315.028	O-Ring
21	315.001	Gasket
22	305.286	Bearing
23	304.638	Bearing Cover
24	207.144	Fan
25	254.443	Bearing
26	219.983	Magnetic Ring
27	257.354	Bearing Ring
28	176.648	Air Guide
29	196.169	Screw
30	251.984	Motor Housing
31	205.931	Brush Holder
32	280.283	Brush
33	194.816	Retaining Clip

Ref. No.	Part No.	Description
34	195.715	Screw
35	205.834	Brush Cover
36	307.653	Electronic
37	319.279	Sleeve
38	276.863	Handle Set
39	213.373	Screw
40	215.074	Cord Clamp
41	205.990	Screw
42	206.245	Screw
43	102.229	Hex Spanner
44	107.719	Screw
45	259.508	Grip Cap
46	211.796	Screw
47	252.422	Screw
48	250.708	Bushing
49	250.694	Ledge
50	287.709	Handle
51	251.614	Screw
52	104.167	Hex Spanner
53	215.724	Air Guide
54	252.721	Handle

** 255691 Grease

** NOT SHOWN