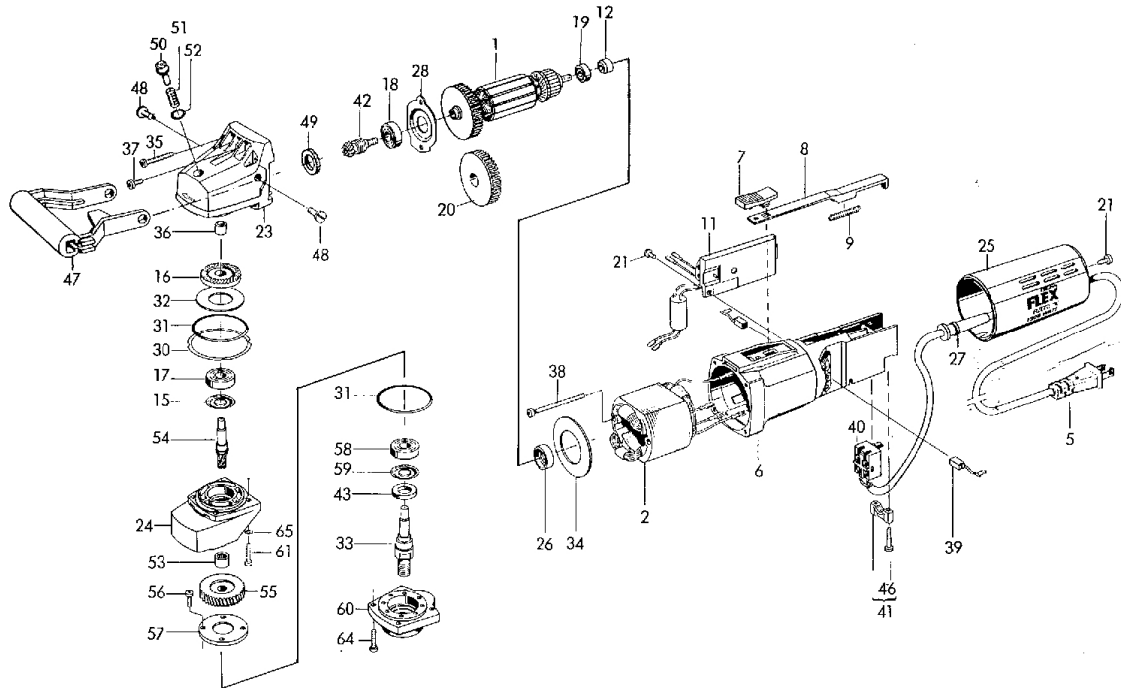


FLEX GRINDER

WARNING: Electrical repairs should only be attempted by trained repairmen. Contact the nearest Authorized Service Station.

**L 1501 VR
120/USA**



Ref. No.	Part No.	Description
1	252133	Armature
2	295760	Field
5	218235	Cord
6	254379	Motor Housing
7	211451	Switch Button
8	225304	Control Rod
9	195820	Spring
11	250918	Electronic
12	250403	Magnetic ring
15	100277	Sealing Ring
16	251803	Bevel Wheel
17	214884	Bearing
18	254442	Bearing
19	254443	Bearing
21	195715	Screw
23	276642	Gear Housing
24	257421	Gear Housing
25	252131	Cover
26	257354	Bearing Ring
27	215848	Strain Relief
28	257750	Bearing Cup
30	257571	Spacer
31	159204	Seal
32	159212	Spring Washer
33	167746	Gear Shaft
34	159247	Baffle
35	195693	Screw
36	159271	Bearing

Ref. No.	Part No.	Description
37	258573	Screw
38	225347	Screw
39	250816	Brush
40	251331	Switch
41	215074	Cord clamp
42	251528	Pinion
43	160512	Felt seal
46	213373	Screw
47	236934	Handle
48	244155	Screw
49	256157	Sealing Bush
50	250265	Locking button
51	250589	Spring
52	250266	O-Ring
53	189251	Bearing
54	251552	Gear Shaft
55	251551	Gear Wheel
56	149136	Screw
57	251527	Cover
58	119482	Bearing
59	251828	Sealing Ring
60	251526	Bearing cup
61	251577	Screw
64	196738	Screw
65	252318	Washer

** 255691 Grease

** NOT SHOWN