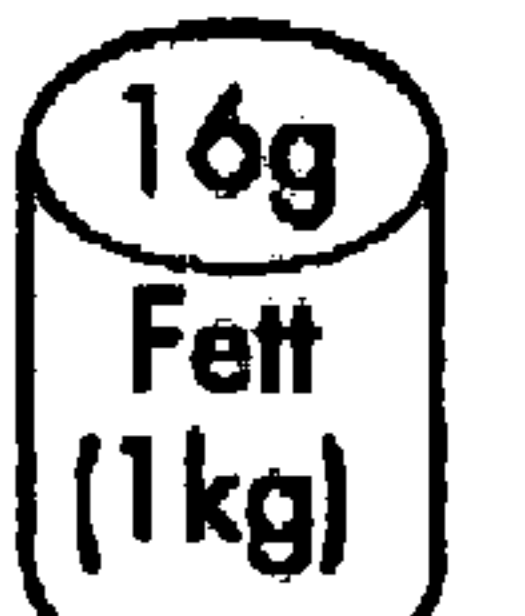
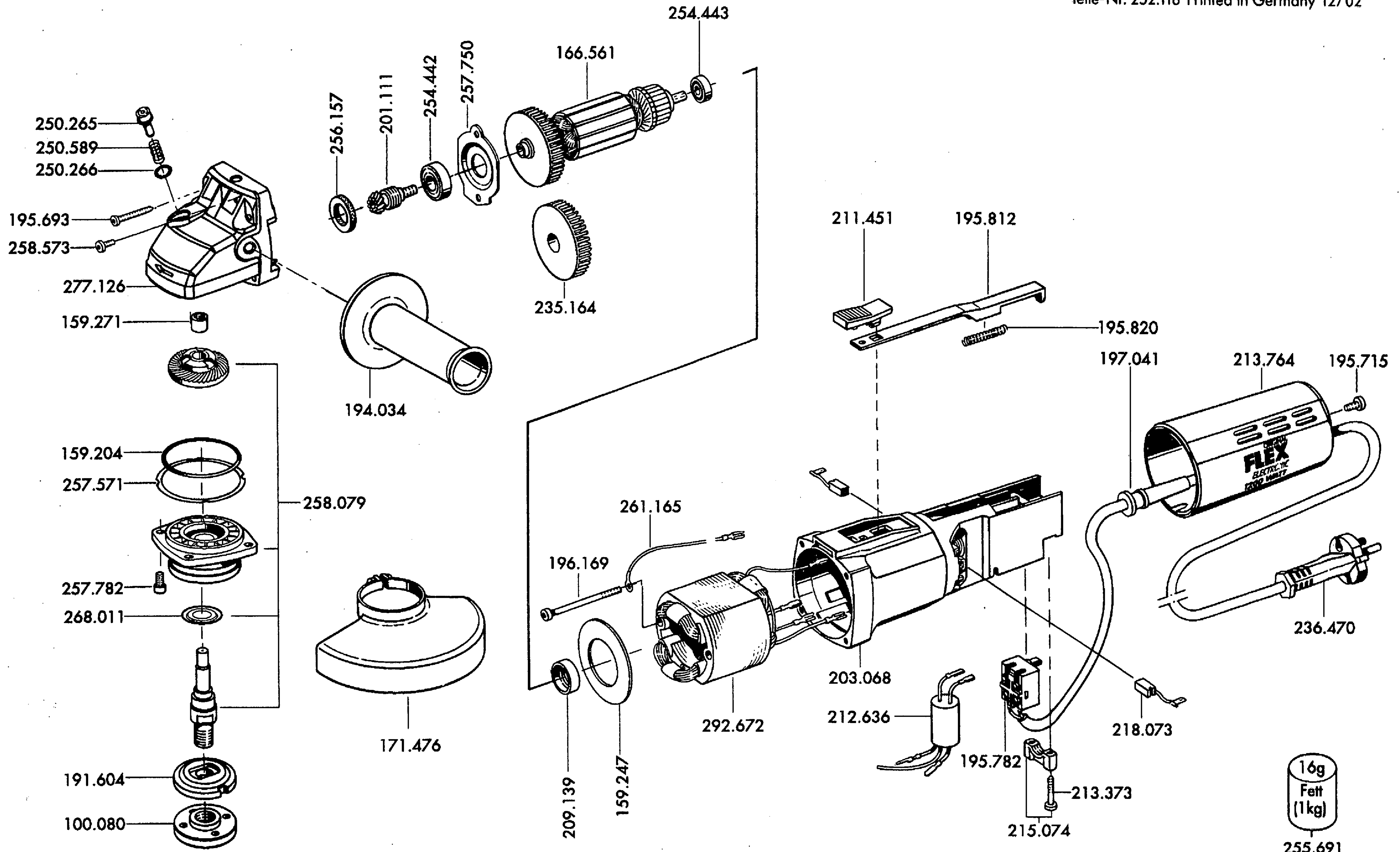


L 1109

Teile-Nr. 252.118 Printed in Germany 12/02



255.691