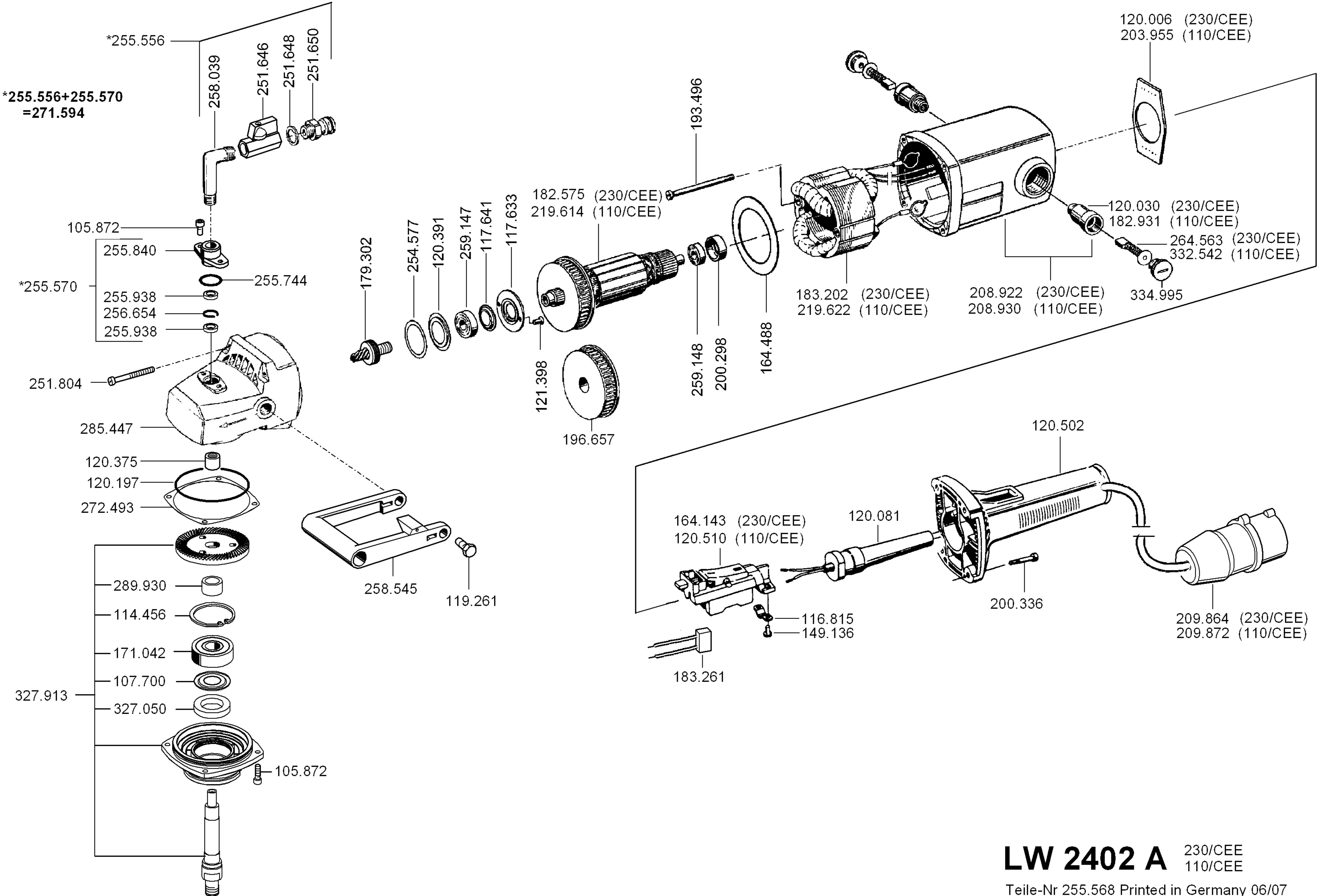


*255.556+255.570
=271.594



LW 2402 A 230/CEE
110/CEE

Teile-Nr 255.568 Printed in Germany 06/07