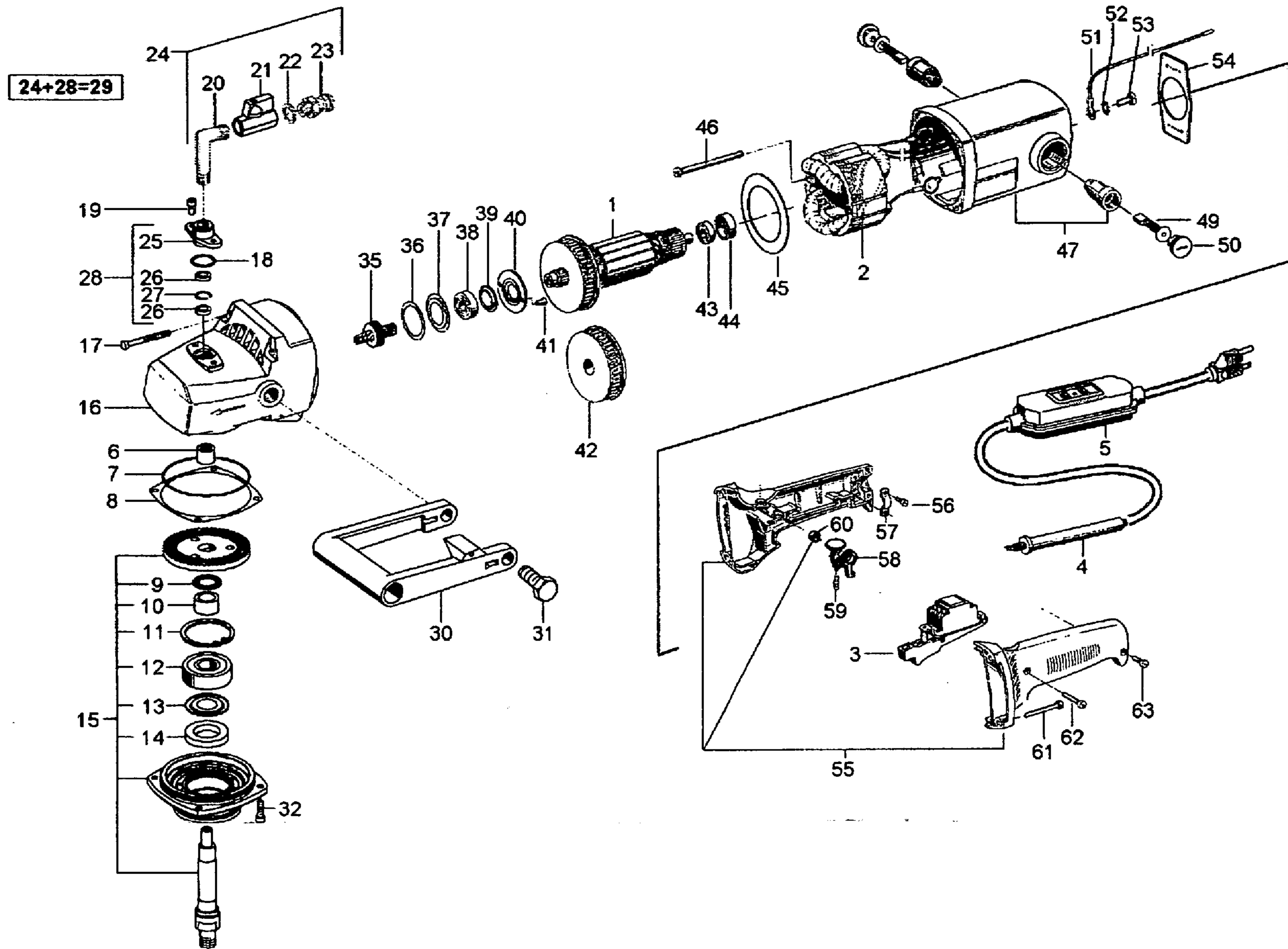


FLEX

WET POLISHER

WARNING: Electrical repairs should only be attempted by trained repairmen. Contact the nearest Authorized Service Station.

LW1202S
120/USA



Ref. No.	Part No.	Description
1	257734	Armature
2	186791	Field
3	190012	Switch
4	257346	Cable Clamp
5	332194	Cord
6	120375	Bearing
7	120197	O-Ring
8	272493	Washer
9	276456	Seal
10	289930	Pin
11	114456	Snap Ring
12	171042	Bearing
13	107700	Seal
14	327050	Ring
15	333115	Gear Shaft Assembl.
16	285447	Gear Housing
17	251804	Screw
18	255744	O-Ring
19	105872	Screw
20	258039	Bracket
21	251646	Ball Valve
22	251648	Seal
23	251650	Connector
24	255556	Water Inlet
25	255840	Bushing
26	255938	Seal
27	256654	Ring
28	255570	Bushing
29	271594	Water Inlet
30	258545	Handle
31	119261	Screw

Ref. No.	Part No.	Description
32	105872	Screw
35	298395	Pinion
36	254577	Sealing
37	120391	Sealing bush kompl
38	259147	Bearing
39	117641	Sealing ring
40	117633	Cover
41	121398	Screw
42	196657	Fan
43	259148	Bearing
44	200298	Bearing ring
45	164488	Air Guide
46	209783	Screw
47	278661	Motor Housing
49	332542	Brush
50	108014	Brush Cap
51	260224	Wire
52	100196	Washer
53	107204	Screw
54	203955	Plate Sealing
55	192856	Handle
56,63	206245	Screw
57	259982	Cord clamp
58	320749	Switch hook
59	190004	Spring
60	229733	Ring
61	193461	Screw
62	195693	Screw
**	106461	Fork Spanner
**	255691	Grease
**		NOT SHOWN